

Produktkatalog

Anbudsområde 5

**Temporära/flyttbara hinder
köpa eller hyra**

Fordonshinder 2020

Tilldelade leverantörer för anbudsområde:

Temporära/flyttbara hinder, köpa eller hyra

- AB Blinkfyrar
- EnvyTech Solutions AB
- GPP Perimeter Protection AB



SKL FORDONSHINDER

ANBUDSOMRÅDE 5

TEMPORÄRA/FLYTTBARA HINDER

Produktnamn: MVB-3XL
Artikelnr: 203550

Delar som ingår i 1 Modul:

- Barriär MVB3-XL, 5st
- Pivot MVB3-XL - hjul med stag, 4st
- Pivot MVB3-XL - pivåstag handtag, 2st
- Pivot MVB3-XL - änddel, 1st
- MVB3-XL - framhjul, 5st

Tillbehör:

- Täckhuva inkl. isolering
- Markeringsskärm X2 HR R/G
- Plasttavla HR MVB3-XL



envytech
Miljö & teknik



Impakt Defender

Vehicle Security Barrier

Product Benefits

- A physical and visual security deterrent
- Excellent protection from vehicle borne attacks
- Unique design deforms to increase stopping performance
- Over 65% lighter than concrete solutions
- Modular design allows protection of entrances and perimeters
- Easy to install, remove and relocate
- Suitable for all types of sites



The Impakt Defender is an IWA14 rated vehicle security barrier (VSB) designed to protect people, buildings and infrastructure from hostile vehicle attack. Requiring no foundations, the surface mounted system can be rapidly deployed as a temporary or permanent security measure, as part of a robust hostile vehicle mitigation (HVM) strategy.

Its unique shape, with its large footprint, has been specifically designed to block vehicles. Each 430kg, 1m x 1m x 1m solid rubber unit is connected by steel cables or rods, providing the flexibility to protect both entrance areas and site perimeters against hostile vehicle attack. The units can also be anchored to create a stronger physical barrier.

Manufactured from 100% recycled rubber bonded with polyurethane for strength, its tough construction enables the Impakt Defender to be installed almost anywhere, removed and used again and again.





Performance Rating

The Impakt Defender has been successfully impact tested to IWA 14-1 specification, stopping a 7.2 tonne N2A lorry travelling at 48kph (30mph).

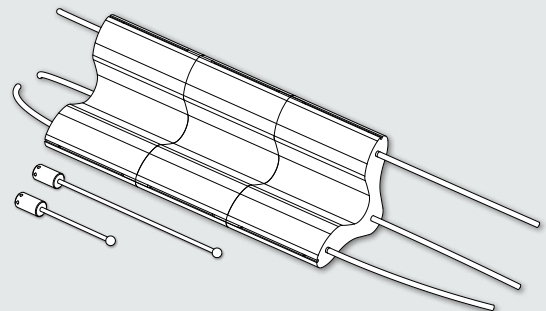
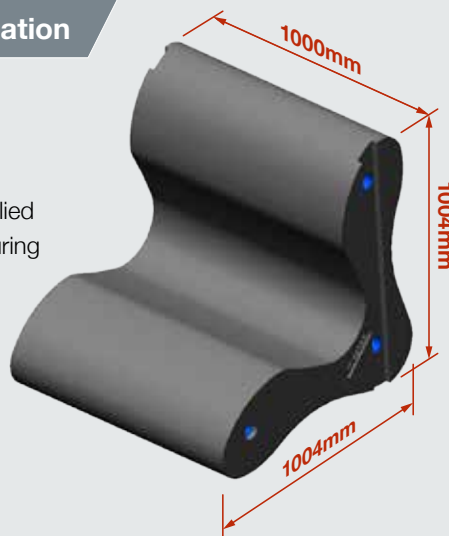
Secured by Design



Official Police Security Initiative

Technical Information

Manufactured from 100% recycled rubber and polyurethane, the Impakt Defender is supplied complete with steel securing cables/rods and fixings.



Size	1000 x 1004 x 1004mm
Weight	430kg
Connectivity	20mm Ø Steel cables or 1 and 2m rods

For more information, please call the Rosehill Security sales team on +44 (0)1422 839 456, or email info@rosehillsecurity.com
Spring Bank Mills, Watson Mill Lane, Sowerby Bridge, West Yorkshire, HX6 3BW, United Kingdom

All information is correct at time of going to press. © Rosehill Polymers Limited - Issue 4 - NOV2018.





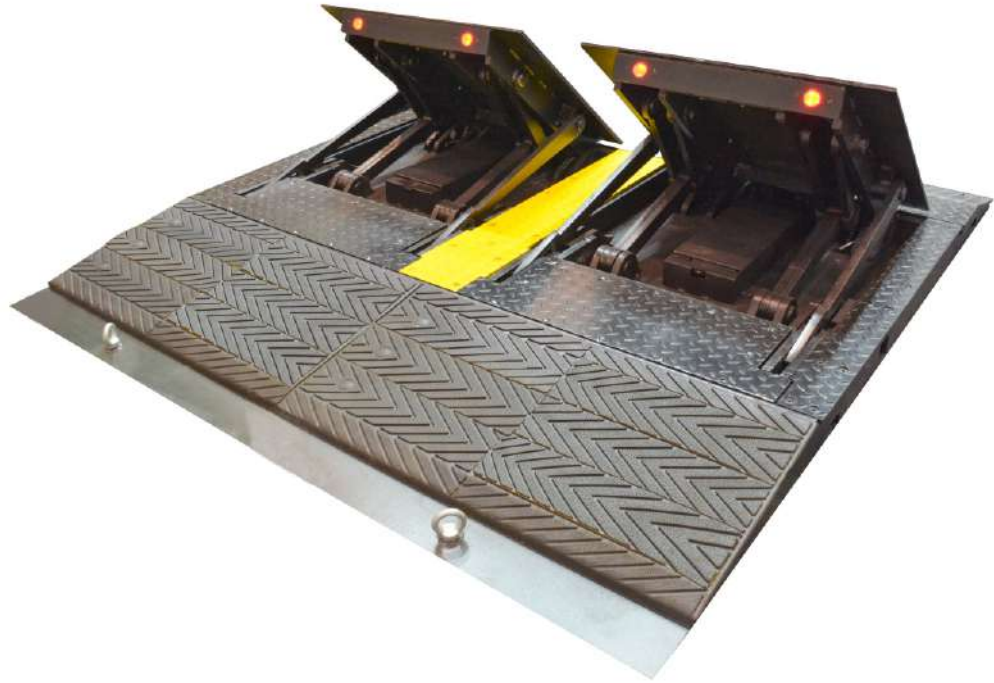
**PERIMETER
PROTECTION
BY GUNNEBO**

ROAD BLOCKERS HIGH SECURITY MOBILE SPEEDBUMPS M30

Crash-tested
according to



ASTM INTERNATIONAL



MOBILE SPEEDBUMPS DO NOT REQUIRE
ANY INSTALLATION TO THE GROUND

Mobile Speedbump has been successfully tested in accordance to ASTM F2656/F2656 M-18a M30 and IWA 14-1:2013 standards. This is an outstanding achievement considering that this completely mobile road blocker does not require any installation to the ground.

Key advantages of Mobile Speedbumps M30:

- full mobility of crash-rated, automatic wedge barrier;
- easy application - setting up within 10 minutes: simply by delivering to the site → unloading → plug in to the power.
- no civil works required: no anchors/no bolts.

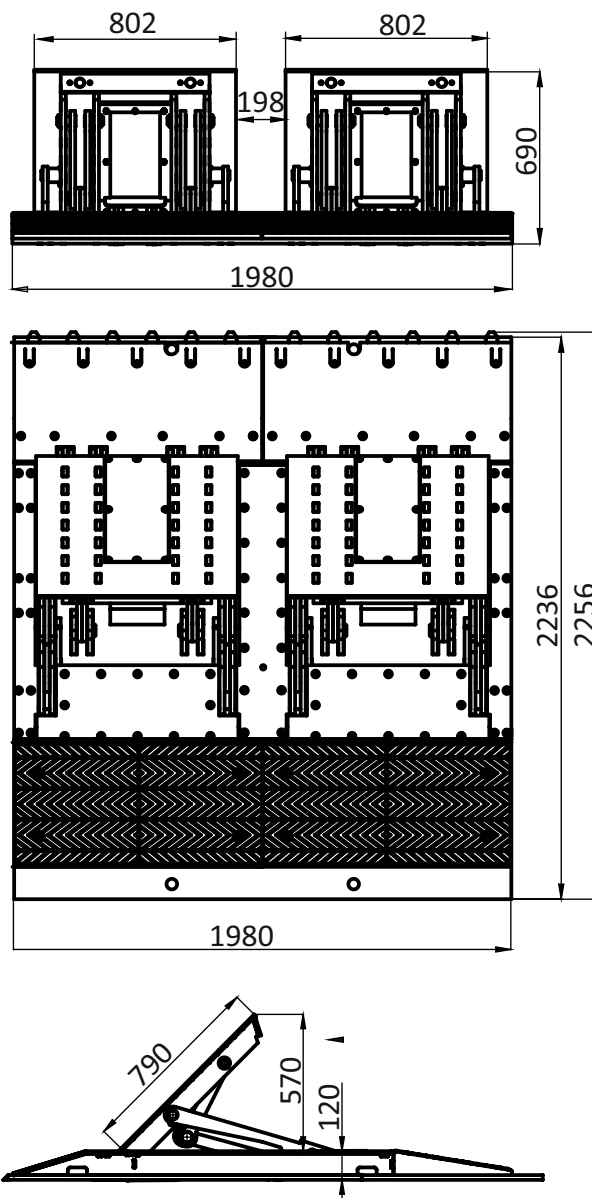
Installation areas:

- Governmental Institutions
- Military Bases
- Nuclear Power Plants
- Production sites (Industrial Plants)
- Commercial areas
- Financial institutions
- Airport Premises
- Business (Office) Center
- Hotels
- Sport Complexes
- Recreation areas
- Urban areas
- Education Institutions



www.tiso.global
+380 (44) 291-21-11
e-mail: sales@tiso.global





TECHNICAL SPECS:

Model	RB358-06
Installation type	Above the ground
Drive	Hydraulic
Width, mm	2000
Height, mm	570
Load per axle, t	15
Rising/Lowering time, sec	5,0 / 4,0
Impact resistance, kJ	673,0
Operating temperature*, °C	-40/+40
Power supply	3 phase 400 V, 50/60 Hz (standard) 1 phase 230** V, 50/60 Hz (option)
Protection level	IP 67 for road blocker IP 54 for control box
Materials	- Structural steel (galvanized and powder coated)

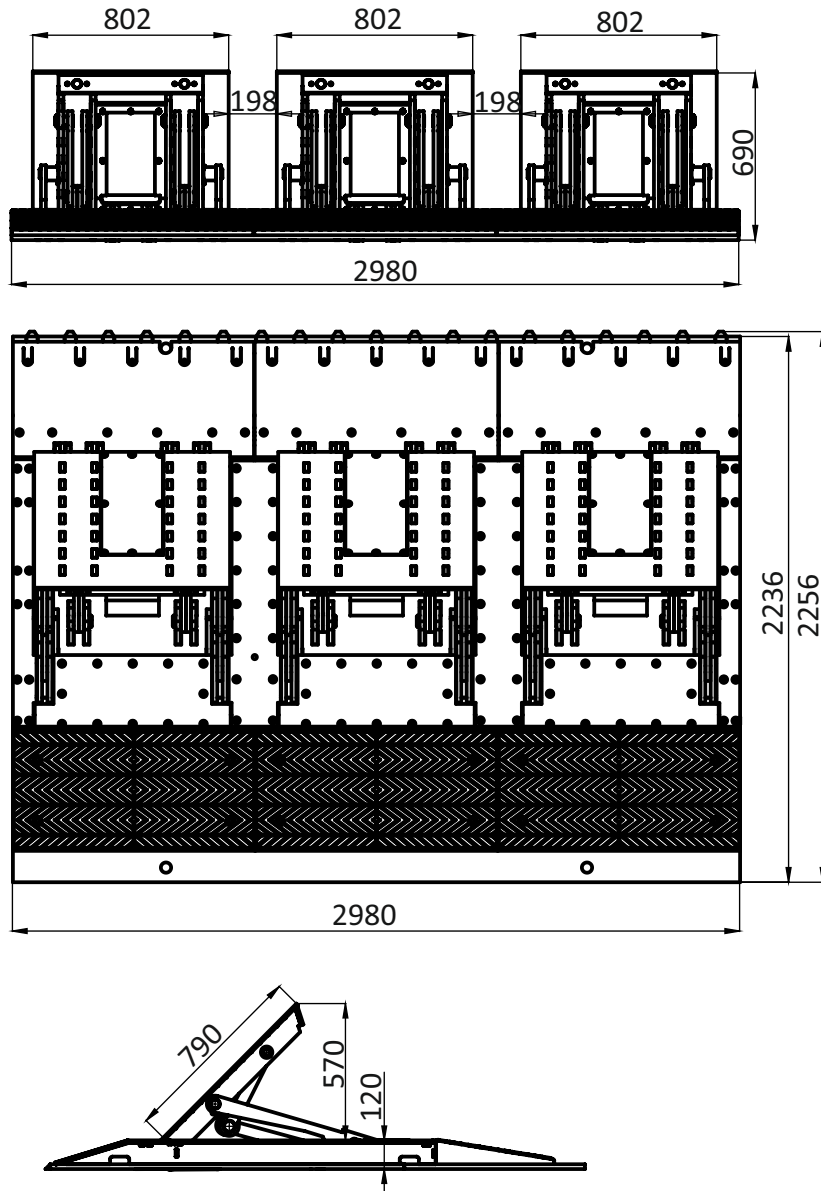
*for temperatures lower than -10 °C use the heating device

** depend on type of hydraulic unit



www.tiso.global
+380 (44) 291-21-11
e-mail: sales@tiso.global





TECHNICAL SPECS:

Model	RB358-07
Installation type	Above the ground
Drive	Hydraulic
Width, mm	3000
Height, mm	570
Load per axle, t	15
Rising/Lowering time, sec	7,5 / 6,0
Impact resistance, kJ	673,0
Operating temperature*, °C	-40/+40
Power supply	3 phase 400 V, 50/60 Hz (standard) 1 phase 230** V, 50/60 Hz (option)
Protection level	IP 67 for road blocker IP 54 for control box
Materials	- Structural steel (galvanized and powder coated)

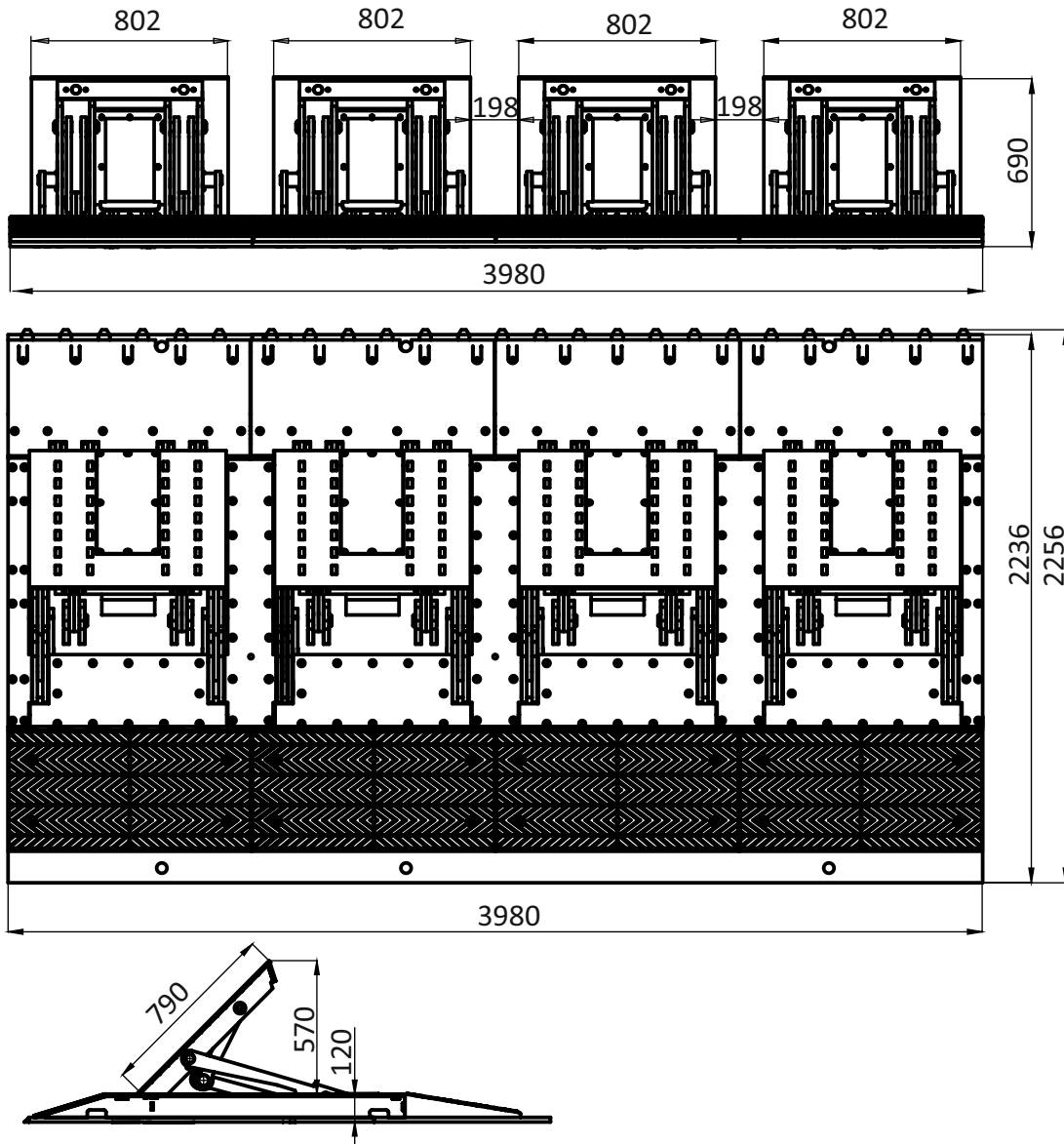
*for temperatures lower than -10 °C use the heating device

** depend on type of hydraulic unit



www.tiso.global
+380 (44) 291-21-11
e-mail: sales@tiso.global





TECHNICAL SPECS:

Model	RB358-08
Installation type	Above the ground
Drive	Hydraulic
Width, mm	4000
Height, mm	570
Load per axle, t	15
Rising/Lowering time, sec	8,0 / 6,0
Impact resistance, kJ	673,0
Operating temperature*, °C	-40/+40
Power supply	3 phase 400 V, 50/60 Hz (standard) 1 phase 230** V, 50/60 Hz (option)
Protection level	IP 67 for road blocker IP 54 for control box
Materials	- Structural steel (galvanized and powder coated)

*for temperatures lower than -10 °C use the heating device

** depend on type of hydraulic unit



www.tiso.global
+380 (44) 291-21-11
e-mail: sales@tiso.global



3 STEPS TO INSTALL MOBILE SPEEDBUMP M30

1

DELIVER MOBILE SPEEDBUMP M30 TO THE SITE

2

PUT MOBILE SPEEDBUMP ON TO THE GROUND .

3

PLUG IN TO THE POWER - INSTALLATION IS COMPLETED



Test Conditions

Standards:	ASTM F2656/F2656M-18a and IWA 14-1:2013
Type of test:	C730/N2B – 48 km/h
Test inertial mass:	7082 kg
Impact angle:	90°
Actual impact speed:	48,7 km/h

Test results

Vehicle penetration (static):	ASTM-18a: 4,66 m / IWA 14-1:2013: 5,25 m
Vehicle penetration (dynamic):	ASTM-18a: 4,66 m / IWA 14-1:2013: 5,25 m
Major debris:	No major debris
Vehicle restrained and immobilized:	Yes
Penetration rating:	ASTM F2656/F2656M-18a: P2
Performance rating:	IWA 14-1:2013 Blocker V/7200(N2B)/48/90:5,3



www.tiso.global
+380 (44) 291-21-11
e-mail: sales@tiso.global

