

# Produktkatalog

## Anbudsområde 3

### Passiva/fastare pollare



# IMPEDER BOLLARDS

Operation Type: Fixed, High Security Bollards



## PRODUCT OVERVIEW

Brought to you by ATG Access, the Bristorm IMPEDER range of fixed, high security bollards are made up of standard CHS sections, cast-in concrete or socketed.

The IMPEDER range of bollards has successfully withstood a range of different impact tests certifying the range to be compliant with the PAS 68 & IWA 14 standard at different speeds to suit varying client risk profiles.

Set within either a concrete and rebar foundation or an 'I Beam', these products are supplied with full installation instructions and 'General Arrangement Drawings'.

The steelwork is hot-dip galvanised to BS EN ISO 1461 as standard. Other aesthetic finishes are available on client request such as powder coating to a specified RAL colour or, fitting an aesthetic sleeve.

Bollards are ideal to protect areas which still require access for pedestrians. Unlike road blockers, fences and gates, bollards remain a friendlier and less alarming security measure for areas where security equipment is meant to blend into the surrounding environment. Bollards also aid pedestrian flow through densely populated areas such as fan zones outside stadiums or to protect railway concourses or airport terminal buildings.

## SECURITY RATING (PAS 68)

Performance ratings: BSI PAS 68 & IWA 14-1.  
Penetration achieved: 0.0-10.6 m.

## FINISHES

Steelwork, hot-dip galvanised to BS EN ISO 1461.  
Alternative aesthetic options are available to suit client requests such as powder coating and aesthetic sleeves.

## IMPEDER BOLLARDS

	Impeder 30S	Impeder 50S	Impeder 50 HD
<b>Height</b>	1,000 mm	1,006 mm	1,010 mm
<b>Diameter</b>	219 mm	324 mm	324 mm
<b>Foundation Dimensions (mm)</b>	1,400 x 2,800 x 400 (or cont.)	3,000 x 2,000 x 300 (or cont.)	2,000 x 1,200 x 800
<b>Minimum Arrangement</b>	Twin bollards	Twin bollards	Single bollard
<b>Post Spacing</b>	1,400 mm	1,500 mm	1,500 mm
<b>Test Specification</b>	BSI PAS 68	IWA 14-1	BSI PAS 68
<b>Test Rating</b>	V/7,500[N2]/48/90:0.0/0.0	V/7,200[N2A]/80/90:3.0	V/7,500[N2]/80/90:0.8/18.1



# IMPEDER BOLLARDS

Operation Type: Fixed, High Security Bollards



## PRODUCT OVERVIEW

Brought to you by ATG Access, the Bristorm IMPEDER range of fixed, high security bollards are made up of standard CHS sections, cast-in concrete or socketed.

The IMPEDER range of bollards has successfully withstood a range of different impact tests certifying the range to be compliant with the PAS 68 & IWA 14 standard at different speeds to suit varying client risk profiles.

Set within either a concrete and rebar foundation or an 'I Beam', these products are supplied with full installation instructions and 'General Arrangement Drawings'.

The steelwork is hot-dip galvanised to BS EN ISO 1461 as standard. Other aesthetic finishes are available on client request such as powder coating to a specified RAL colour or, fitting an aesthetic sleeve.

Bollards are ideal to protect areas which still require access for pedestrians. Unlike road blockers, fences and gates, bollards remain a friendlier and less alarming security measure for areas where security equipment is meant to blend into the surrounding environment. Bollards also aid pedestrian flow through densely populated areas such as fan zones outside stadiums or to protect railway concourses or airport terminal buildings.

## SECURITY RATING (PAS 68)

Performance ratings: BSI PAS 68 & IWA 14-1.  
Penetration achieved: 0.0-10.6 m.

## FINISHES

Steelwork, hot-dip galvanised to BS EN ISO 1461.  
Alternative aesthetic options are available to suit client requests such as powder coating and aesthetic sleeves.

## IMPEDER BOLLARDS

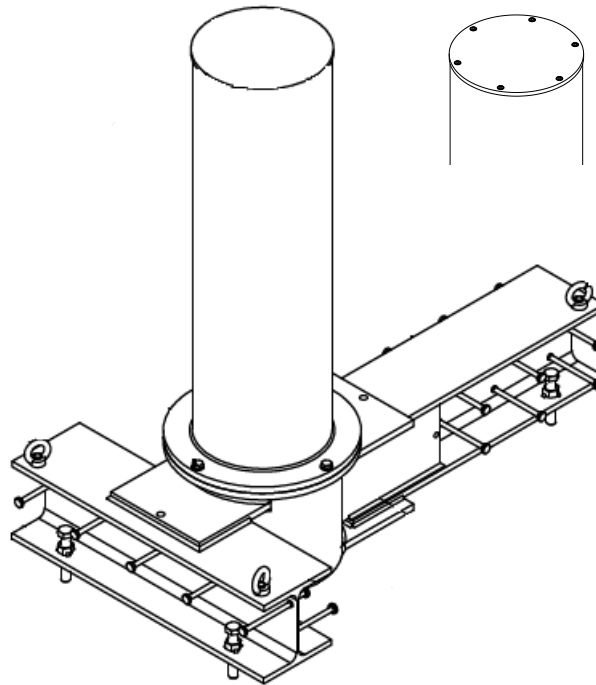
	Impeder 30	Impeder 30S	Impeder 40	Impeder 50	Impeder 50S	Impeder 50 HD
<b>Height</b>	1,005 mm	1,000 mm	1,005 mm	1,005 mm	1,006 mm	1,010 mm
<b>Diameter</b>	219 mm	219 mm	273 mm	273 mm	324 mm	324 mm
<b>Foundation Dimensions (mm)</b>	600 x 600 cont.	1,400 x 2,800 x 400 (or cont.)	750 x 750 cont.	750 x 750 cont.	3,000 x 2,000 x 300 (or cont.)	2,000 x 1,200 x 800
<b>Minimum Arrangement</b>	Twin bollards	Twin bollards	Twin bollards	Twin bollards	Twin bollards	Single bollard
<b>Post Spacing</b>	1,415 mm	1,400 mm	1,470 mm	1,470 mm	1,500 mm	1,500 mm
<b>Test Specification</b>	BSI PAS 68	BSI PAS 68	BSI PAS 68	BSI PAS 68	IWA 14-1	BSI PAS 68
<b>Test Rating</b>	V/7,500[N2]/48/90:0.0/0.0	V/7,500[N2]/48/90:0.0/0.0	V/7,500[N2]/64/90:3.3/0.0	V/7,500[N2]/80/90:10.6/11.1	V/7,200[N2A]/80/90:3.0	V/7,500[N2]/80/90:0.8/18.1



---

## Technical Data Sheet

---



- Design:** Removable blocking bollard with base supports for shallow mount installation. Bollard system can be adapted on site for corner applications.
- Impact Energy:** 1680 kJ (15,000 lb @ 80 km/h)  
Vehicle Impact Simulation M50/P1 (triple unit)
- Blocking Element:** Diameter: 355 mm with welded on steel top plate,  
optional: screwed on steel top plate, in galvanised finish or coated in colour of blocking element
- Wall Thickness:** 30 mm
- Blocking Height:** 1100 mm
- Foundation Size:** 4500 x 2500 x 400 mm (triple unit)
- Foundation Top Edge:** 100 mm below finished floor level
- Weight:** 710 kg
- Options:** Bollard top lighting, Ufo-shape, red, white or yellow  
Stainless steel sleeve with screwed on or welded stainless steel top plate  
Height compensation and blind plate for height compensation
- Colour (Standard):** RAL 6005 moss green, RAL 7016 anthracite grey, RAL 7030 stone grey, RAL 7035 light grey or RAL 9010 pure white
- Colour (Optional):** Other RAL colours or DB colours

# Fast Säkerhetspollare ONE30 EVO

Urbaco från Frankrike är ett av världens största företag vad gäller utveckling och tillverkning av pollare.

Pollaren ONE30 EVO är framtagen med en enda uppgift: att stoppa ett fordon som försöker att köra igenom en avspärning.

Användningsområden är t ex ambassader, kärnkraftanläggningar eller andra känsliga byggnader.

ONE30 EVO är testad enligt engelska PAS68:2013, samt IWA 14-1:2013. Utförda tester bekräftade att **en ensam pollare stoppar ett 6,8 ton tungt fordon med en hastighet av 48 km/h**. Detta benämns normalt **K4**. De fasta pollarna ONE30 kan användas separat eller i kombination med automatiska och demonterbara pollare.

Pollaren finns även i K12 (**ONE50**) och K8 (**ONE40**).

ONE30 EVO har ett system med utbytbar hylsa som gör det möjligt att anpassa utseendet och enkelt att byta skadade hylsor på under fem minuter.



## CERTIFIKAT

ONE30 EVO har certifikat från följande test (se förklaring nedan):

- IWA 14-1:2013 Bollard V/7200[N2A]/48/90\*  
effektenergi 640 kJ
- PAS68:2013 Bollard V/7500[N2]/48/90\*  
effektenergi 667 kJ

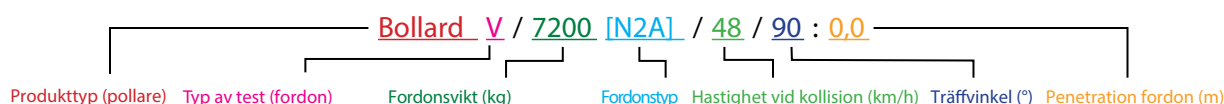


## UTFÖRS AV BESTÄLLAREN

Pollaren gjuts fast i ett armerat betongfundament, minst 650 mm djupt. Min. betongvolym ca 1,25 m<sup>3</sup>.



Förklaring till IWA 14-1: 2013:



## TEKNISKA DATA

Dimension ovan mark:	Ø250 mm/höjd 1000 mm
Dimension under mark (pollardel):	590×350×405 mm
Totalvikt:	ca. 210 kg
Material:	Höghållfast stål Utbytbar hylsa i stål eller rostfritt
Standardkulör:	RAL3020
Ytbehandling:	Zinkbaserad primer Varmförzinkade konstruktionsdelar (fundamentsdel och pollarhuvud)
Utbytbar hylsa:	



Standardhylsa  
i lackat stål

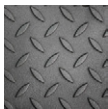


Kundanpassad  
hylsa i stål



Hylsa i rostfritt  
stål 316L

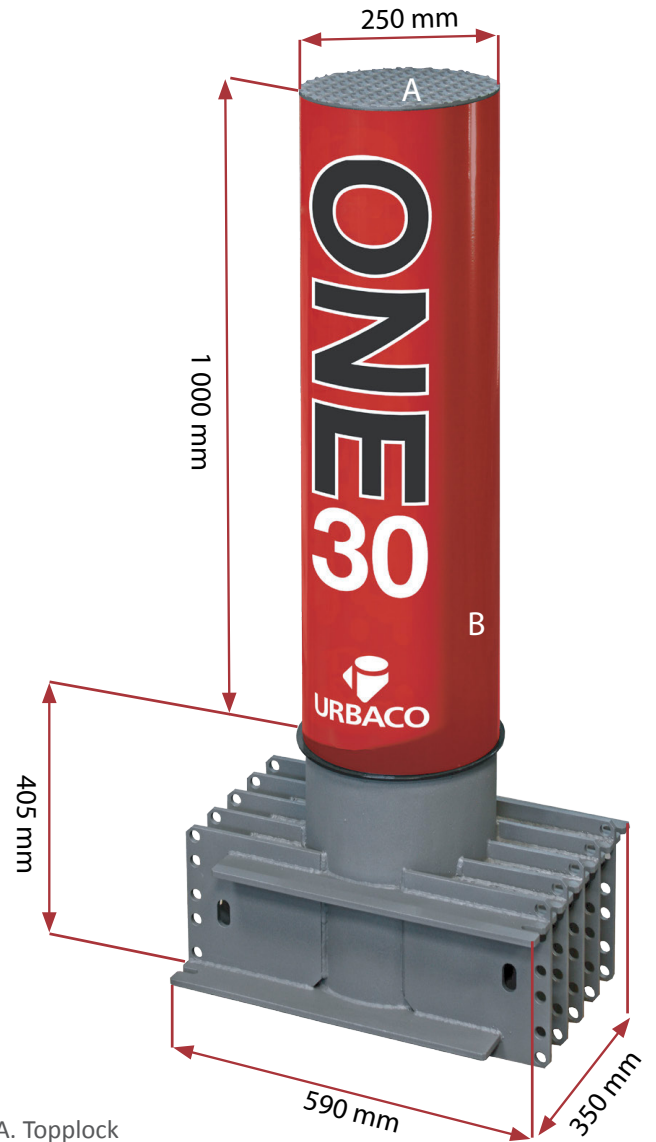
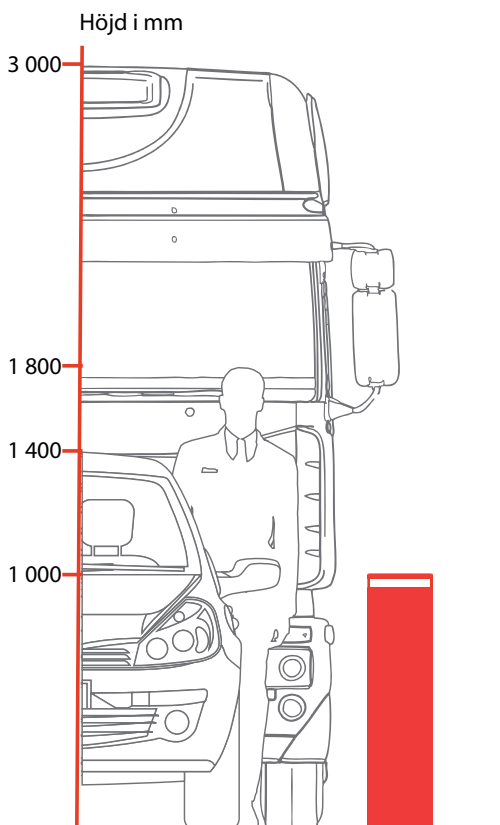
### Topplöck:



Stål med förstärkt korrosionsskydd (standard)



Rostfritt stål 316L  
eller 304L (tillval)



A. Topplöck

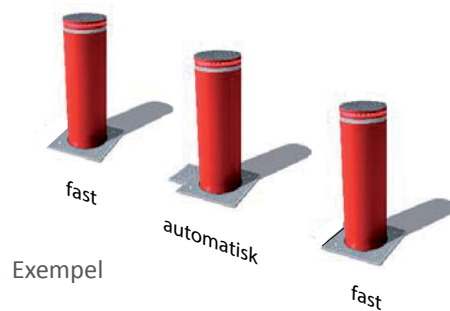
B. Pollarhuvud med kundanpassad hylsa

## TILLVAL OCH TILLBEHÖR

- Reflextjip
- Andra RAL-färger

## PROJEKTERINGSUNDERLAG

Säkerhetsanläggningar bör behandlas på ett speciellt sätt, varför Intergate gärna ser att vi blir kontaktade för att medverka till en bra och funktionell lösning.



Exempel



# VENUS STATIC BOLLARD



The Terra Venus Bollards has been successfully impact tested to the British PAS 68 specification stopping 7.5t @ 30mph (48kph). Polyester Powder Coated as standard, with a range of sleeves available including stainless steel finishes.

- V/7500[N2]/48/90:0.0/0.0
- Foundation Type C Embedment: 600mm
- Height above ground: 1000mm
- Diameter: 219mmø
- Finish: Polyester Powder Coated
- Options: Range of Aesthetic Sleeves



1 Remove Aesthetic sleeve      2 Lift out Removable bollard

